



HFMED™
HFMH3008A

Manual Hydraulic Operating table

HFMH3008A is widely used in multiple surgery disciplines.

Table design adopted Europeanism precise appearance. Matte surface premium 304 stainless steel are anti-corrosion and anti-rust. Central controlled large castors enables free wheeling without noise. Individual leg plates and back plate are controlled by gas spring for convenient operation. Ket parts are imported from Germany.



HFMED
ACCESSORIES

- 1 Anaesthetic Screen
- 2 Shoulder Rest
- 2 Arm Support
- 2 Waist Support
- 2 Knee Crutch
- 2 Foot Plate
- 2 Long Slider



Official QR code



YOUR IDEAL OPERATING TABLE SUPPLIER

HFMED™

YOUR IDEAL OPERATING TABLE SUPPLIER
SHANGHAI HUIFENG MEDICAL INSTRUMENT CO., LTD.

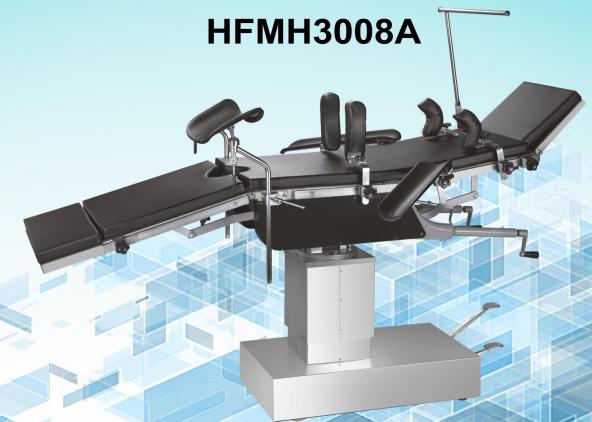
Address: No.7753 Chuannanfeng Road Pudong New District, Shanghai.
P.R. China, 11
Tel: +86-021-58084992
Mob: +86-13918165133
Email: lisa@huifeng-co.com
web: <http://en.huifeng-co.com>

HFMED™ CE

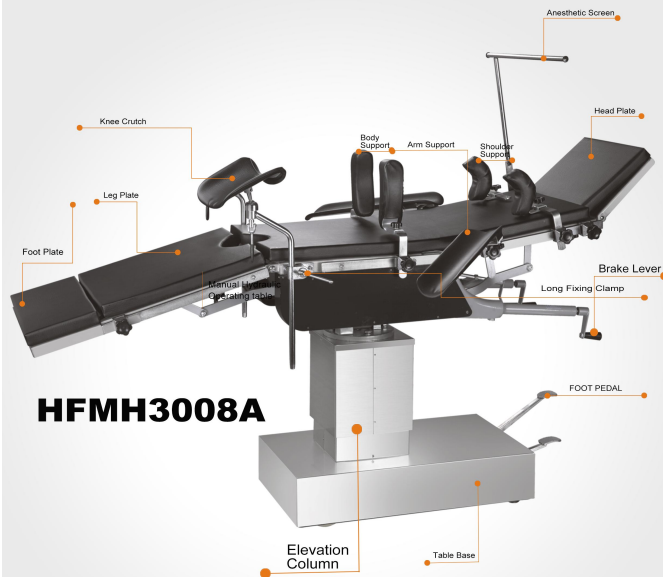
HFMED

YOUR IDEAL OPERATING TABLE SUPPLIER
MEET THE VARIOUS REQUIREMENTS OF GENERAL SURGERY

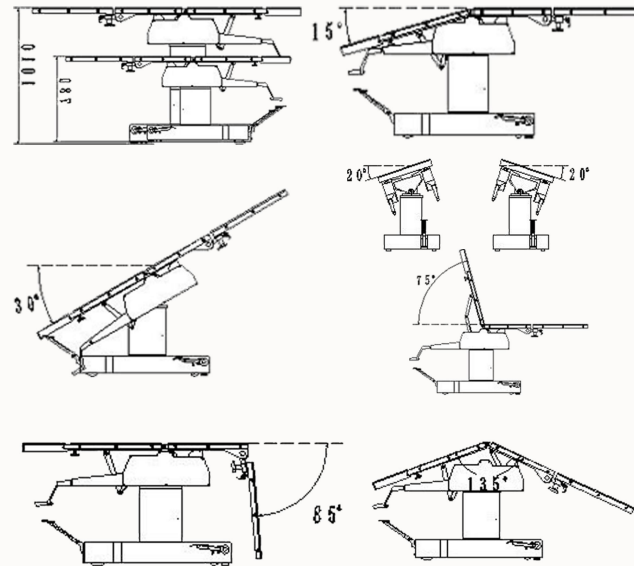
HFMH3008A



SHANGHAI HUIFENG MEDICAL INSTRUMENT CO.,LTD



HFMH3008A
operation position sketch



Main Technical Data

HFMH3008A Manual Hydraulic Operating table	
Tabletop Length	2080mm
Tabletop Width	480mm
Elevation (down/up)	780/1020mm
Trendelenburg/Reverse Trendelenburg	25°/25°
Lateral Tilt(left/right)	20°/20°
Head Rest(up/down)	30°/90°
Leg plate(up/down)	90°
Foot Plate Horizontal Positioning	90°
Back Plate(up/down)	90°/10°
Kidney Bridge Elevation	120mm

